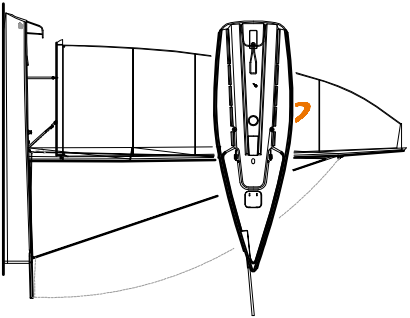


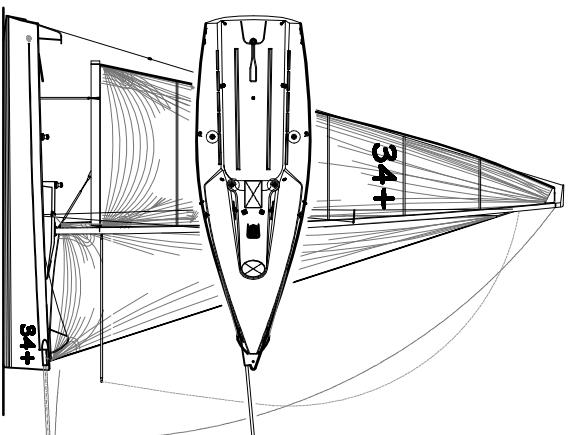
# CIDE

## MATCH RACER LINE



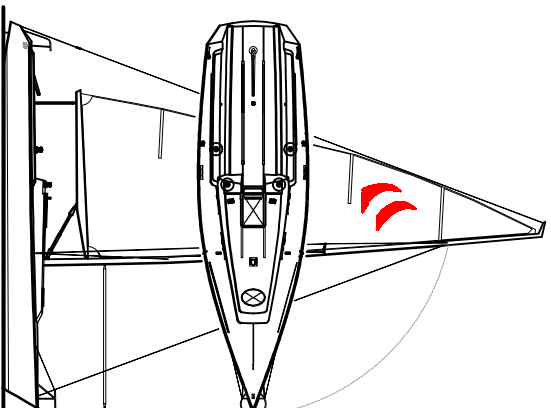
Enigma 24

LOA 7.31 m  
LWL 6.76 m  
BOA 2.25 m  
Draught 1.80 m  
Keelweight 450 kg  
Displacement 1220 kg  
Sail area 34.1 m<sup>2</sup>



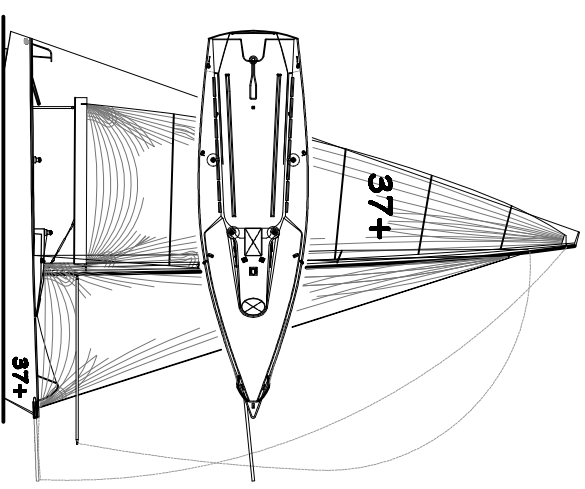
34 +

LOA 10.30 m  
LWL 9.50 m  
BOA 3.28 m  
Draught 2.10 m  
Keelweight 1200 kg  
Displacement 2700 kg  
Sail area 62.0 m<sup>2</sup>



D.S Match Racer

LOA 11.35 m  
LWL 9.35 m  
BOA 3.20 m  
Draught 2.10 m  
Keelweight 2100 kg  
Displacement 4000 kg  
Sail area 64.0 m<sup>2</sup>



37 +

LOA 11.35 m  
LWL 9.35 m  
BOA 3.20 m  
Draught 2.25 m  
Keelweight 1800 kg  
Displacement 3500 kg  
Sail area 72.0 m<sup>2</sup>



Danish Marine Design

[www.cde-dmnd.com](http://www.cde-dmnd.com)